

# EasySolar 3 kVA & 5 kVA with Color Control panel

The all-in-one solar power solution

[www.victronenergy.com](http://www.victronenergy.com)



EasySolar 3 kVA

### The all-in-one solar power solution

The EasySolar combines a MPPT solar charge controller, an inverter/charger and AC distribution in one enclosure.

The product is easy to install, with a minimum of wiring.

### Color Control panel

Two outstanding functions:

- Prioritizes battery charging by the MPPT charge controller
- Connects to the internet, enabling remote monitoring (VRM website) and remote control.

### AC distribution

The AC distribution consists of a RCD (30mA / 63A) and four AC outputs protected by two 10A and two 16A circuit breakers.

An additional 16A output is controlled by the AC input: it will switch on only when AC is available.

### PowerAssist

Unique PowerAssist technology protects the utility or generator supply from being overloaded by adding extra inverter power when needed.

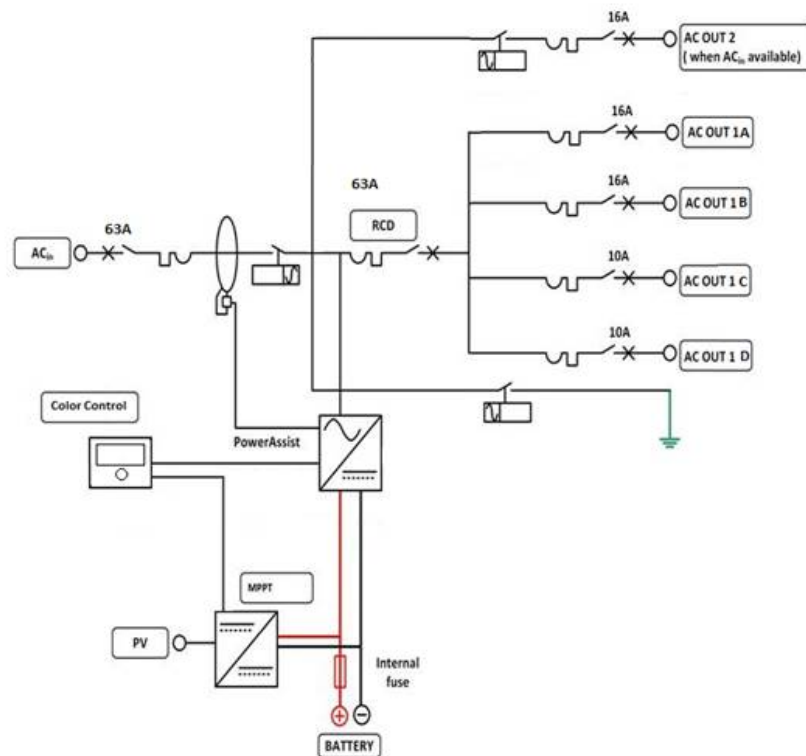
### Unique solar application software

Several software programs (Assistants) are available to configure the system for various grid interactive or stand-alone applications. Please see

<http://www.victronenergy.nl/support-and-downloads/software/>



EasySolar 5 kVA



| EasySolar   | EasySolar 24/3000/70-50<br>MPPT150/70  | EasySolar 48/3000/35-50<br>MPPT150/70 | EasySolar 48/5000/70-100<br>MPPT150/100 |
|---|--|---------------------------------------|---|
| <b>INVERTER/CHARGER</b>   |  |                                       |   |
| Transfer switch   | 50A  | 50A                                   | 100A                                    |
| <b>INVERTER</b>   |  |                                       |   |
| Input voltage range   | 19 – 33V   | 38 – 66V                              | 38 – 66V                                |
| 'Heavy duty' output AC 2  | 16 A   |                                       |   |
| Output AC 1a, 1b, 1c, 1d  | Output voltage: 230VAC ± 2%<br>Frequency: 50 Hz ± 0,1% (1)   |                                       |   |
| Cont. output power at 25°C (3)  | 3000VA / 2400W   | 3000VA / 2400W                        | 5000VA / 4000W                          |
| Cont. output power at 40°C  | 2200W  | 2200W                                 | 3700W                                   |
| Cont. output power at 65°C  | 1700W  | 1700W                                 | 3000W                                   |
| Peak power  | 6000W  | 6000W                                 | 10000W                                  |
| Maximum efficiency  | 94%  | 95%                                   | 95%                                     |
| Zero load power   | 20W  | 25W                                   | 35W                                     |
| Zero load power in search mode  | 10W  | 12W                                   | 15W                                     |
| <b>CHARGER</b>  |  |                                       |   |
| AC Input  | Input voltage range: 187-265 VAC<br>Input frequency: 45 – 65 Hz Power factor: 1  |                                       |   |
| Charge voltage 'absorption'   | 28,8V  | 57,6V                                 | 57,6V                                   |
| Charge voltage 'float'  | 27,6V  | 55,2V                                 | 55,2V                                   |
| Storage mode  | 26,4V  | 52,8V                                 | 52,8V                                   |
| Charge current  | 70A  | 35A                                   | 70A                                     |
| Battery temperature sensor  | yes  |                                       |   |
| Programmable relay (5)  | yes  |                                       |   |
| Protection (2)  | a - g  |                                       |   |
| <b>SOLAR CHARGE CONTROLLER</b>  |  |                                       |   |
| Model   | MPPT 150/70-MC4  | MPPT 150/70-MC4                       | MPPT 150/100-MC4                        |
| Maximum output current (4)  | 70A  | 70A                                   | 100A                                    |
| Maximum PV power  | 2000W  | 4000W                                 | 5800W                                   |
| Maximum PV open circuit voltage   | 150V   |                                       |   |
| Maximum efficiency  | 98%  |                                       |   |
| Self-consumption  | 10mA   |                                       |   |
| Charge voltage 'absorption', default setting  | 28,8V  | 57,6V                                 | 57,6V                                   |
| Charge voltage 'float', default setting   | 27,6V  | 55,2V                                 | 55,2V                                   |
| Charge algorithm  | multi-stage adaptive   |                                       |   |
| Temperature compensation  | -16 mV / °C  | -32 mV / °C                           | -64 mV / °C                             |
| Protection  | a – g  |                                       |   |
| <b>COMMON CHARACTERISTICS</b>   |  |                                       |   |
| Operating temp. range   | -40 to +65°C (fan assisted cooling)  |                                       |   |
| Humidity (non-condensing):  | max 95%  |                                       |   |
| <b>ENCLOSURE</b>  |  |                                       |   |
| Material & Colour   | aluminium (blue RAL 5012)  |                                       |   |
| Protection category   | IP 21  |                                       |   |
| Battery-connection  | Four M8 bolts (2 plus and 2 minus connections)   |                                       |   |
| PV connection   | Two sets of MC4 PV connectors.   | Three sets of MC4 PV connectors       |   |
| 230 V AC-connection   | Screw terminals 13 mm <sup>2</sup> (6 AWG)   |                                       |   |
| Weight  | 28kg   | 28kg                                  | 48kg                                    |
| Dimensions (hwxwd)  | 810 x 258 x 218  | 810 x 258 x 218                       | 877 x 328 x 241                         |
| <b>STANDARDS</b>  |  |                                       |   |
| Safety  | EN 60335-1, EN 60335-2-29, EN 62109-1  |                                       |   |
| Emission / Immunity   | EN 55014-1, EN 55014-2, EN 61000-3-3, EN 61000-6-3, EN 61000-6-2, EN 61000-6-1   |                                       |   |
| Anti-islanding  | See our website  |                                       |   |
| 1) Can be adjusted to 60Hz and to 240V<br>2) Protection:<br>a. Output short circuit<br>b. Overload<br>c. Battery voltage too high<br>d. Battery voltage too low<br>e. Temperature too high<br>f. 230 VAC on inverter output<br>g. Input voltage ripple too high | 3) Non-linear load, crest factor 3:1<br>4) At 25°C ambient<br>5) Programmable relay which can be set for general alarm, DC under voltage or genset start signal function |                                       |   |